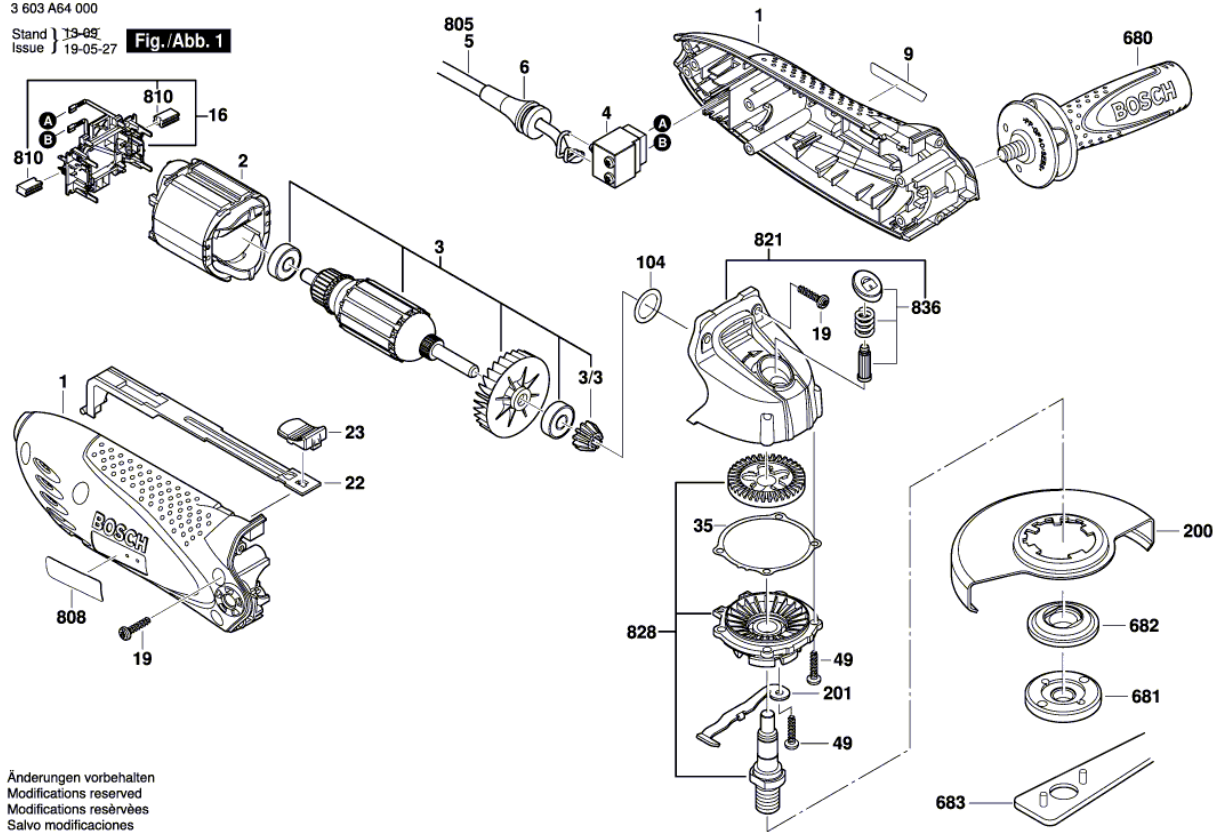


Illustration - Type - E

3 603 A64 000
Stand } 13-09
Issue } 19-05-27

Fig./Abb. 1



Änderungen vorbehalten
Modifications reserved
Modifications réservées
Salvo modificaciones

Spare parts list

Item	Part Number	Description	Illustration
1	2 609 002 197	Housing GREEN	1
2	2 609 002 175	Field 220-230V	1
3	2 609 002 408	Armature 220-230V	1
3/3	1 606 333 2CN	Pinion	1
4	2 607 200 673	Switch	1
5	2 609 002 907	Power supply cord EU 2,65m 2x0,75 H05 VV-F	1
6	2 609 002 019	Grommet	1
9	2 609 002 636	Manufacturer's nameplate PWS 700-115	1
16	2 609 006 427	Brush Holder	1
19	2 603 490 022	Screw 4x16	1
22	2 609 002 202	Lever	1
23	2 609 002 368	Switch Button BLACK	1
35	2 609 002 208	Shim 0,1 MM	1
35	2 609 002 209	Shim 0,2 MM	1
35	2 609 002 210	Shim 0,3 MM	1
49	2 914 491 410	Thread-forming tap. Screw M4x16	1
104	2 609 002 454	O-Ring Ø22x2 MM	1
200	2 609 002 203	Protective Cover Ø115 MM	1
201	2 609 002 205	Leaf Spring	1
680	2 609 002 892	Handle	1
681	1 603 345 043	Round Nut M14	1
682	2 605 703 014	Clamping Flange Ø22,3xØ42 MM	1
683	1 619 P08 927	Pin-Type Face-Wrench	1
808	2 609 002 642	Nameplate	1
810	2 610 391 290	Carbon-Brush Set	1
821	2 609 002 443	Gear Housing	1
828	2 609 002 444	Bearing Flange	1
836	2 609 002 634	Push-Button	1